

FEATURES

- 72" x 42" x 23-7/8"
- Luxuriously deep bathing well
- Cast-acrylic construction provides high durability
- Slip-resistant surface
- 1hp ultra-quiet blower
- 300 watt heated air injection system
- Final purge/drying cycle to clean each air jet
- Optional solid brass grab bar with various finishes
- Optional LED lighting
- Multi-functional Keypad
 - Normal Mode: 5 intensity levels for continuous operation
 - Pulsating Mode: Alternating between the High/Low intensity levels for massage
 - Oscillation Mode: Alternating between all 5 intensity levels for massage

MODELS

- ABA774L
Acrylic bathtub. Slip-resistant surface.
Left keypad/right blower
- ABA774R
Acrylic bathtub. Slip-resistant surface.
Right keypad/left blower

COLORS/FINISHES

- Shell Color
 - #01 Cotton
 - #12 Sedona Beige
- Grab Bar
 - #CP Polished Chrome
 - #BN Brushed Nickel
 - #PN Polished Nickel
- Jet Trim
 - Color matched caps

CODES/STANDARDS

- Meets and exceeds ASME A112.19.7M, CSA B45.10, UL 1795, CSA C22.2 #218.2
- Certifications: IAPMO(cUSPC), Intertek/ETL, State of Massachusetts, City of Los Angeles and others
- Code Compliance: USPC, IPC, NSPC, NPC Canada, and others



PRODUCT SPECIFICATION

The TOTO® Carrollton® Air Bath™ shall have a luxuriously deep bathing well. The Air Bath shall have a cast-acrylic construction that provides high durability with a slip-resistant surface. The Air Bath shall have a 1hp ultra-quiet blower, a 300 watt heated air injection system and a final purge/drying cycle to clean each air jet. The Air Bath shall have an optional solid brass grab bar with various finishes, optional LED lighting and a multi-functional keypad. Air Bath shall be TOTO Model ABA774____.



ABA774

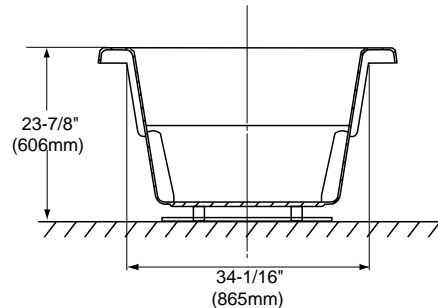
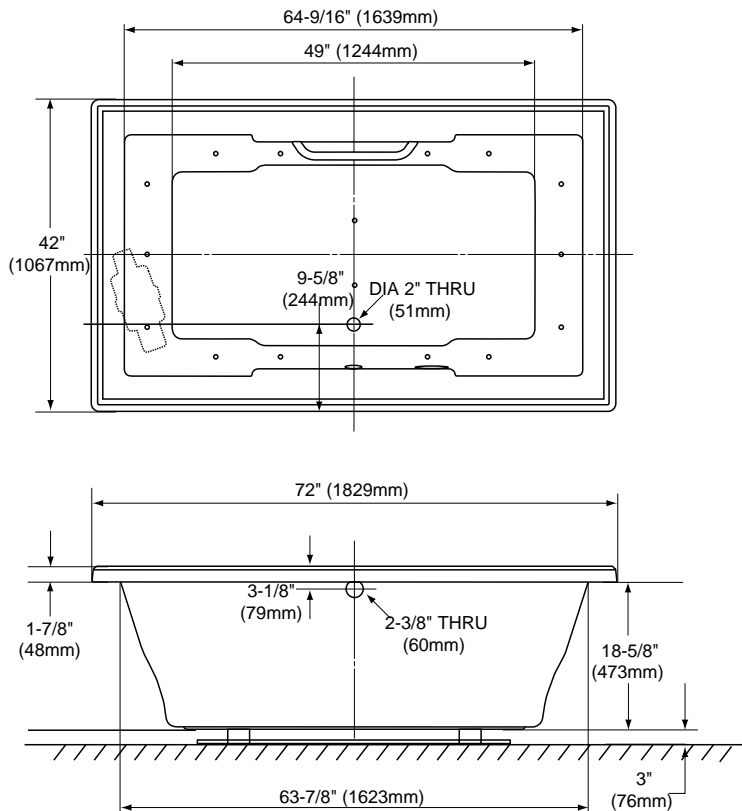
Carrollton® 6' Air Bath™

SPECIFICATIONS

- Size 72" L x 42" W
- Depth 20"
- Warranty 1 Year Limited Warranty on acrylic tub
1 Year Limited Warranty on components and parts
- Material Cast Acrylic
- Electrical Requirements 15 AMP; 120V w/ GFCI
- Shipping Weight 154 lbs.
- Shipping Dimensions 74" L x 44" W x 27" H
- Gallons 130 to overflow

INSTALLATION NOTES

Floor support under bath must provide a minimum of 75 lbs/square foot (366 kg/square meter) loading.



These dimensions and specifications are subject to change without notice